

**vG-BL 6**  
*- rental property lock...*

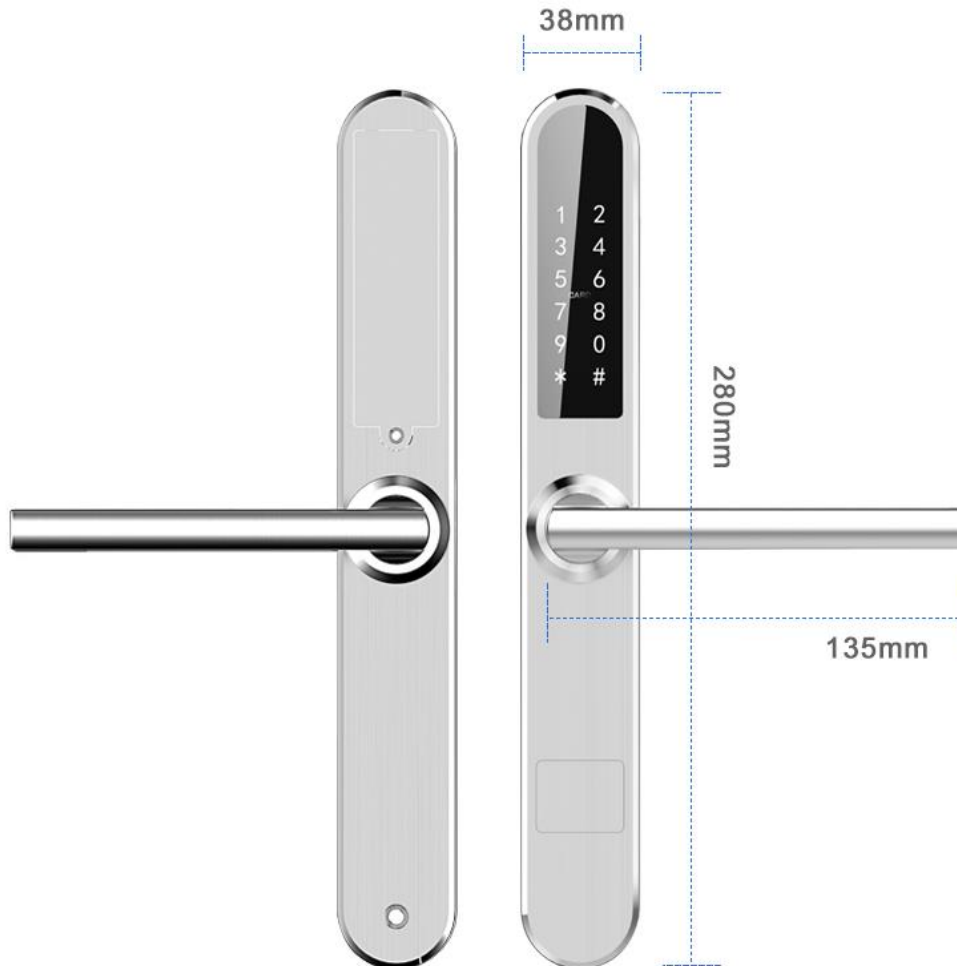


**vG-BL 6 Slim**

1. The electronic lock vG-BL6 works on Bluetooth BLE and digital codes, additionally emergency mechanical key. The lock is intended for rental apartments and wherever remote access is needed. The lock is designed for internal and external rooms. The lock plate has been designed for aluminum profile doors.



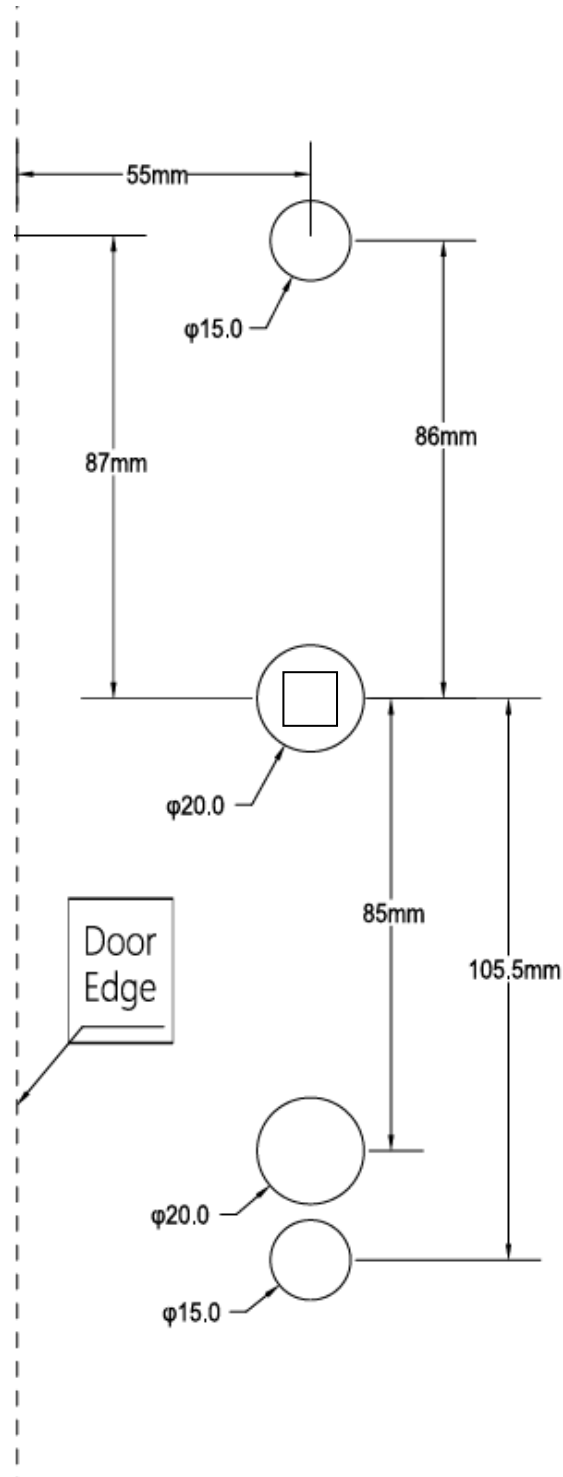
## 2. Dimensions



3. Technical data:

<b>DANE:</b>	<b>PARAMETRY:</b>
Dimensions	280/70/25 mm
Power supply	6V (4xAA alkaiczne baterie)
Finishing	Brushed stainless steel
Induction of keyboard power	The keyboard is activated when you touch it
Current consumption	200 mA
Static consumption	15~30 uA
Opening types	Bluetooth BLE (Android, iOS) app, Mifare 13,65 MHz card, numeric keyboard, mechanical key
Autolock	Yes, after 7 seconds
Door thickness	Min. 20 mm
Low battery alarm	200 openings before complete discharge
Working temperature	5-70 °C
Available colours	Silver, black
Warranty	2 years

#### 4. Drilling scheme





## 5. App



**vG-lock Management** app can be downloaded directly from Google Play.

WEB software and instructions can be found at

[www.vg-lock.com](http://www.vg-lock.com)



The TTLock management app can be downloaded directly from GooglePlay and AppStore.

App instructions are available at [www.wano.pl](http://www.wano.pl)



## 6. Operation

- THE LOCK IS RESISTANT TO ATMOSPHERIC CONDITIONS, IS FOR INTERNAL AND EXTERNAL USE
- CLEANING WITH A LIGHT MOISTURE CLOTH, OR GLASS CLEANER
- THE KEYBOARD CANNOT BE EXPOSED TO MECHANICAL DAMAGE
- DO NOT HANG HEAVY OBJECTS ON THE HANDLE
- DO NOT INSERT UNAUTHORIZED KEY TO CYLINDER
- USE ALKALINE AAA BATTERIES (DURACELL OR ENERGIZER)
- DO NOT USE BATTERY PACK - TO RECHARGE

## 7. Warranty

2 YEARS

In an emergency lock or other system component failure should be reported to your dealer or by e-mail:

[office@vg-lock.com](mailto:office@vg-lock.com)